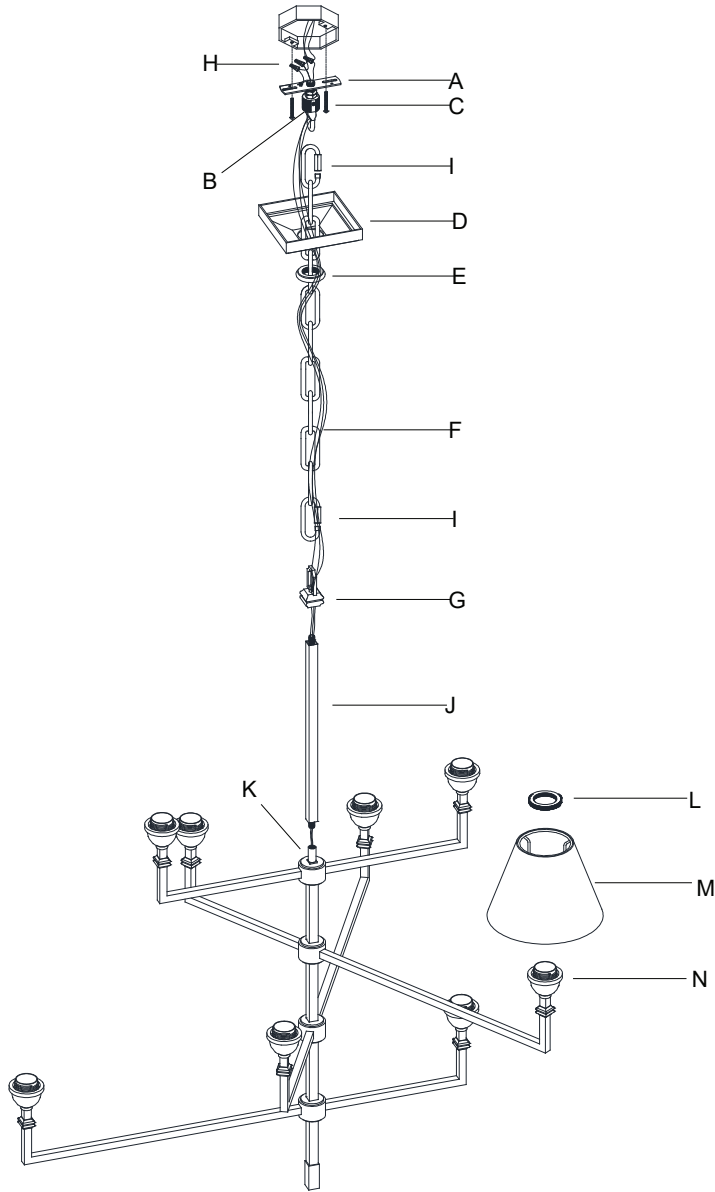


ASSEMBLY INSTRUCTIONS



Jane Large Offset Chandelier

Item # AH 5310

WE RECOMMEND INSTALLATION OF THIS LIGHTING FIXTURE BE DONE BY A LICENSED ELECTRICIAN.

WARNING*SWITCH OFF THE MAIN ELECTRICAL SUPPLY FROM THE MAIN FUSE BOX/CIRCUIT BREAKER BEFORE INSTALLATION.**

INSPECT ITEM CAREFULLY BEFORE ATTEMPTING TO INSTALL. IF THERE IS ANY DAMAGE OR OBVIOUS DEFECT. DO NOT INSTALL.

ITEM MAY NOT BE RETURNED ONCE IT HAS BEEN INSTALLED.

NOTE: CAREFULLY UNPACK EACH PIECE IN TOP LAYER OF PACKING PRIOR TO REMOVING. RETAIN ALL PACKING MATERIAL UNTIL INSPECTION AND INSTALLATION ARE FINAL.

1. Carefully remove all parts from the box.
2. Remove the collar loop (B) from the chain (F) by unscrewing the quick link (K) and install the collar loop (B) to the mounting strap (A).
3. Install the mounting strap (A) to the junction box and secure with the mounting screws (C).
4. Install the canopy (D) to the junction box and secure with the collar ring (E). If needed, adjust canopy height by loosening hex nuts and screwing collar loop (B) up or down then re-secure.
5. Weave the fixture wires through the rod (J) and hanging loop (G), then thread the rod (J) into the connector (K) and thread the hanging loop (G) to the rod (J).
6. With the fixture dimension as a guide, shorten the chain (F) as needed using the chain pliers (not included).
7. Open one chain quick link (I), then attach the chain quick link (I) to the collar loop (B). Secure the chain quick link (I).
8. Open the chain quick link (I) from the opposite side then attach to the hanging loop (G). Secure the chain quick link (I).
9. Weave the fixture wires through the chain (F).
10. When you reach the canopy (D) and the collar loop (B), measure the wires then cut, be certain to leave enough length to connect the wires in the junction box.
11. Strip the insulation on the fixture wires about 5/8".
12. Loosen the screw collar ring (E) and let the canopy (D) slip down the chain (F) carefully.
13. Twist the fixture wires together and push through the center hole of the collar loop (B).
14. Wrap the fixture ground wire to the green ground screw on the mounting strap (A) and secure, then connect to the ground wire in the junction box using the wire nut (H).
IT IS IMPERATIVE THAT THIS FIXTURE BE GROUNDED.
15. Connect the fixture ribbed wire (no marking) to the neutral wire in the junction box using the wire nut (H).

ASSEMBLY INSTRUCTIONS

Jane Large Offset Chandelier

Item # AH 5310

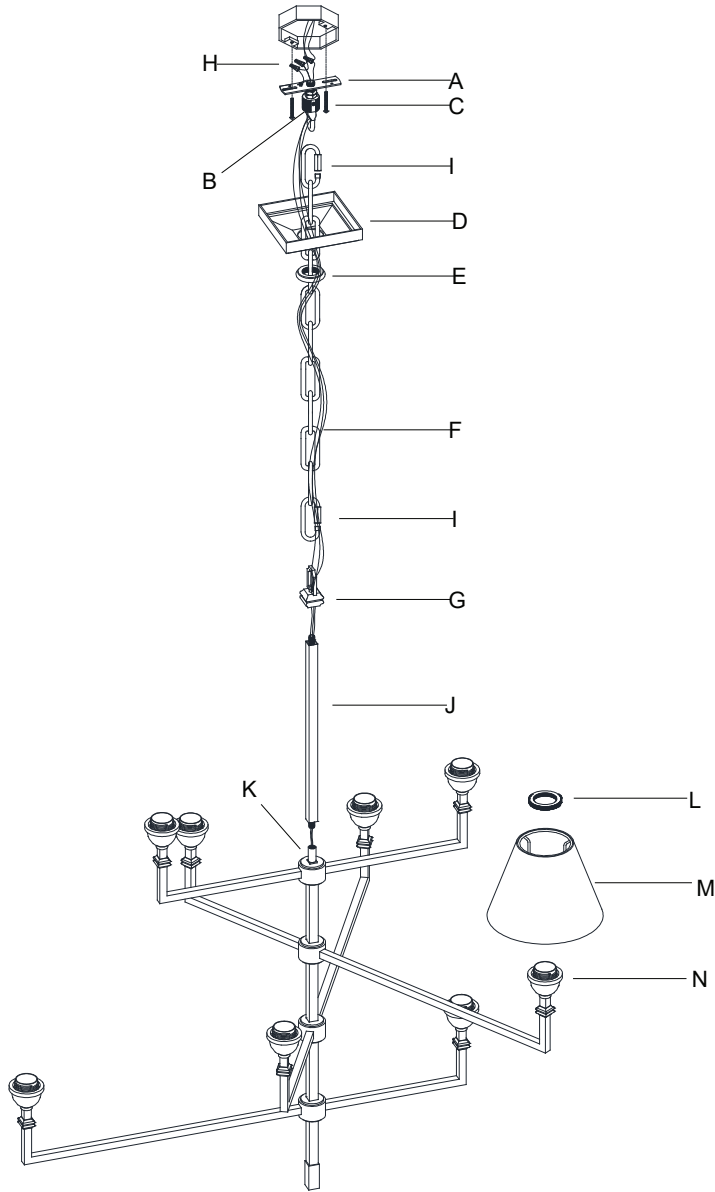
WE RECOMMEND INSTALLATION OF THIS LIGHTING FIXTURE BE DONE BY A LICENSED ELECTRICIAN.

WARNING*SWITCH OFF THE MAIN ELECTRICAL SUPPLY FROM THE MAIN FUSE BOX/CIRCUIT BREAKER BEFORE INSTALLATION.**

INSPECT ITEM CAREFULLY BEFORE ATTEMPTING TO INSTALL. IF THERE IS ANY DAMAGE OR OBVIOUS DEFECT. DO NOT INSTALL.

ITEM MAY NOT BE RETURNED ONCE IT HAS BEEN INSTALLED.

NOTE: CAREFULLY UNPACK EACH PIECE IN TOP LAYER OF PACKING PRIOR TO REMOVING. RETAIN ALL PACKING MATERIAL UNTIL INSPECTION AND INSTALLATION ARE FINAL.



16. Connect the fixture smooth wire (with marking) to the hot wire in the junction box using the wire nut (H). DO NOT REVERSE THE HOT AND NEUTRAL CONNECTIONS OTHERWISE SAFETY WILL BE COMPROMISED.

17. Carefully tuck the wire connections into the junction box.

18. Install the canopy (D) to the junction box and secure with the collar ring (E).

19. Remove the socket ring (L) from the socket (N), then attach the shade (M) onto the socket (N) and secure with the socket ring (L)

20. Insert bulbs (not included) into the sockets.

21. Installation is complete, turn on power at fuse or circuit breaker.

***Clean with a dry, soft cloth only. Use no harsh abrasives or chemical agents