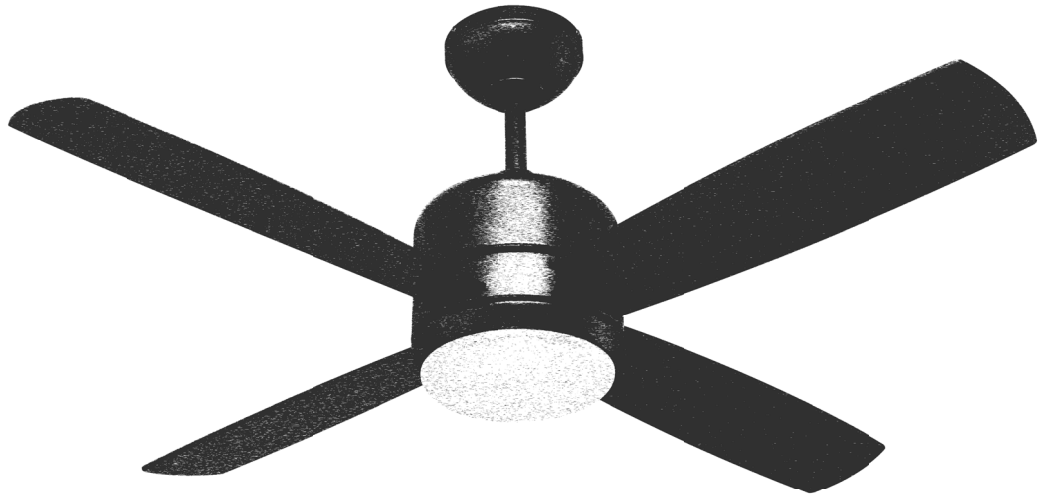


# CRAFTMADE™

READ THESE INSTRUCTIONS AND  
AND SAVE THEM FOR FUTURE USE



## Montreal

# Installation Guide

For Model:  
**MN44-LED**

### Table of Contents:

- Safety Tips. pg. 1
- Unpacking Your Fan. pg. 2
- Parts Inventory. pg. 2
- Installation Preparation. pg. 3
- Hanging Bracket Installation. pg. 3
- Fan Assembly. pgs. 4 - 5
- Wiring. pg. 6
- Wiring-Wall Control. pg. 6
- Canopy Assembly. pg. 7
- Blade Assembly. pg. 7
- LED light Kit Assembly. pg. 8
- Wall Control Operation. pg. 8
- Testing Your Fan. pg. 8
- Troubleshooting. pg. 9
- Parts Replacement. pg. 9
- Warranty. pg. 9



Intertek  
4009218

net weight of fan: 13.45 lb. (6.1 kg)

PRINTED IN CHINA

# SAFETY TIPS.

**WARNING:** To reduce the risk of electrical shock, turn off the electricity to the fan at the main fuse box or circuit panel before you begin the fan installation or before servicing the fan or installing accessories.

1. **READ ALL INSTRUCTIONS AND SAFETY INFORMATION CAREFULLY BEFORE INSTALLING YOUR FAN AND SAVE THESE INSTRUCTIONS.**

**CAUTION:** To avoid personal injury, the use of gloves may be necessary while handling fan parts with sharp edges.

2. Make sure all electrical connections comply with Local Codes or Ordinances, the National Electrical Code, and ANSI/NFPA 70-1999. If you are unfamiliar with electrical wiring or if the house/building wires are different colors than those referred to in the instructions, please use a qualified electrician.
3. Make sure you have a location selected for your fan that allows clear space for the blades to rotate, and at least seven (7) feet (2.13 meters) of clearance between the floor and the fan blade tips. The fan should be mounted so that the tips of the blades are at least thirty (30) inches (76 centimeters) from walls or other upright structures.
4. The outlet box and ceiling support joist used must be securely mounted, and capable of supporting at least 35 pounds (16 kilograms). The outlet box must be supported directly by the building structure. Use only CETL or CUL in Canada or ETL or UL in USA listed outlet boxes marked "FOR FAN SUPPORT."

**WARNING:** To reduce the risk of fire, electrical shock, or personal injury, mount to the outlet box marked "Acceptable for Fan Support of 15.9 kg (35 lb) or less," and use the mounting screws provided with the outlet box. Most outlet boxes commonly used for the support of lighting fixtures are not acceptable for fan support and may need to be replaced. Consult a qualified electrician if in doubt.

**WARNING:** To reduce the risk of fire, electrical shock, or personal injury, wire connectors provided with this fan are designed to accept only one 12 gauge house wire and two lead wires from the fan. If your house wire is larger than 12 gauge or there is more than one house wire to connect to the corresponding fan lead wires, consult an electrician for the proper size wire connectors to use.

5. Electrical diagrams are for reference only.
6. After installation is complete, check that all connections are absolutely secure.
7. After making electrical connections, spliced conductors should be turned upward and pushed carefully up into the outlet box. The wires should be spread apart with the grounded conductor and the equipment-grounding conductor on opposite sides of the outlet box.

**WARNING:** To reduce the risk of electrical shock or fire, do not use this fan with any solid state speed control device or control fan speed with a full range dimmer switch. [Using a full range dimmer switch to control fan speed will cause a loud humming noise from fan.]

8. Do not operate the reverse switch until the fan has come to a complete stop. [**Note:** If using remote control with reverse capability, reverse fan blade direction only when on LOW speed.]
9. Do not insert anything between the fan blades while they are rotating.

**WARNING:** To reduce the risk of personal injury, do not bend the blade arms during assembly or after installation. Do not insert objects into the path of the blades.

**WARNING:** To avoid personal injury or damage to the fan and other items, be cautious when working around or cleaning the fan.

10. Do not use water or detergents when cleaning the fan or fan blades. A dry dust cloth or lightly dampened cloth will be suitable for most cleaning.

**WARNING:** To reduce the risk of personal injury, use **only** parts provided with this fan. **The use of parts OTHER than those provided with this fan will void the warranty.**

**WARNING:** This fan **MUST** be installed with the safety cable provided with the fan. Failure to use the safety cable provided may result in personal injury, damage to the fan or damage to other property.

**CAUTION:** Do NOT tamper with or attempt to repair LED component of fixture. The light source is designed for this specific application and should not be serviced by untrained personnel. If any servicing is required, call our customer service department.

11. Light kit is dimmable to 10% with select dimmers.

NOTE: This equipment has been tested and found to comply with the limits for a Class B digital device, pursuant to Part 15 of the FCC Rules. These limits are designed to provide reasonable protection against harmful interference in a residential installation. This equipment generates, uses and can radiate radio frequency energy and, if not installed and used in accordance with the instructions, may cause harmful interference to radio communications. However, there is no guarantee that interference will not occur in a particular installation. If this equipment does cause harmful interference to radio or television reception, which can be determined by turning the equipment off and on, the user is encouraged to try to correct the interference by one or more of the following measures:

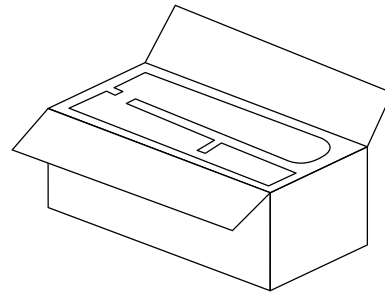
- \* Reorient or relocate the receiving antenna.
- \* Increase the separation between the equipment and receiver.
- \* Connect the equipment into an outlet on a circuit different from that to which the receiver is connected.
- \* Consult the dealer or an experienced radio/TV technician for help.

**NOTE:** The important safety precautions and instructions appearing in the manual are not meant to cover all possible conditions and situations that may occur. It must be understood that common sense and caution are necessary factors in the installation and operation of this fan.

# 1. Unpacking Your Fan.

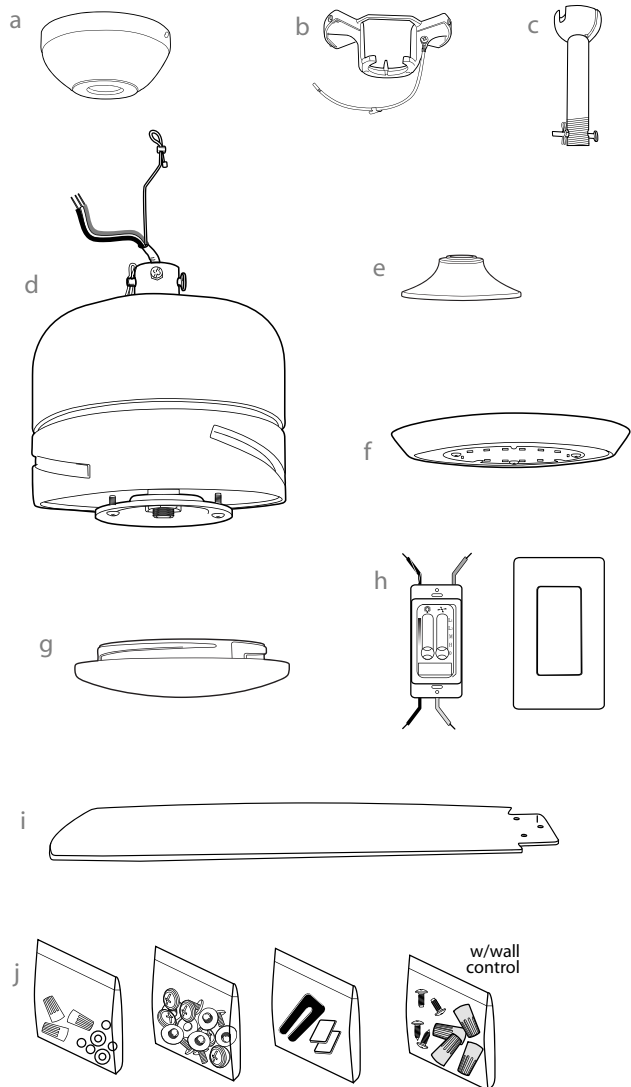
Carefully open the packaging. Remove items from Styrofoam inserts. Remove motor housing and place on carpet or Styrofoam to avoid damage to finish. Do not discard fan carton or Styrofoam inserts should this fan need to be returned for repairs.

Check against parts inventory that all parts have been included.



## 2. Parts Inventory.

- a.** canopy. 1 piece
- b.** hanging bracket (pre-attached to canopy).  
1 piece
- c.** downrod (with pin and clip) and hanging ball.  
1 piece
- d.** motor housing. 1 piece
- e.** yoke cover. 1 piece
- f.** LED light kit. (pre-attached to motor housing).  
1 piece
- g.** glass shade. 1 piece
- h.** wall control and plate. 2 pieces
- i.** blade. 4 pieces
- j.** hardware packs



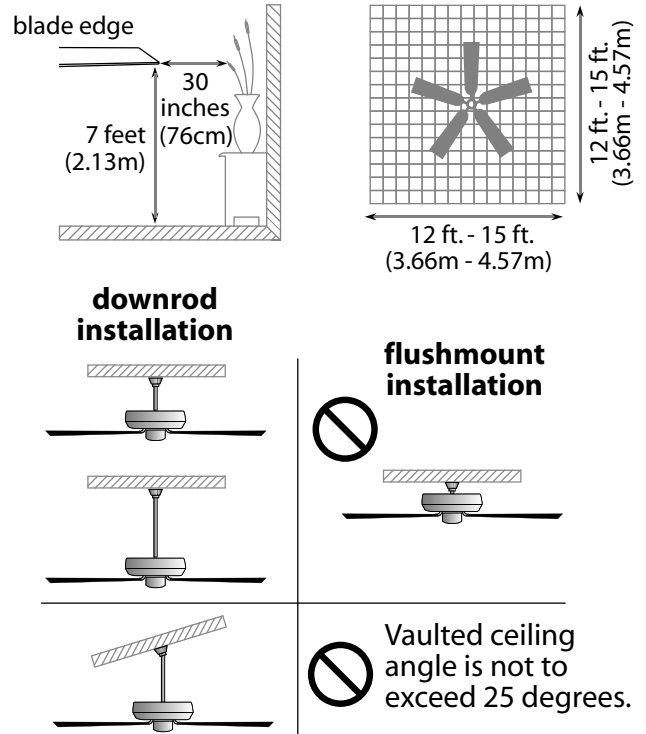
**! IMPORTANT REMINDER:** You must use the parts provided with this fan for proper installation and safety. **!**

### 3. Installation Preparation.

To prevent personal injury and damage, ensure that the hanging location allows the blades a clearance of 7 feet (2.13m) from the floor and 30in. (76cm) from any wall or obstruction. This fan is suitable for room sizes up to 225 square feet (20.9 square meters).

This fan can be mounted with a **downrod** on a regular (no-slope) or vaulted ceiling. The hanging length can be extended by purchasing a longer downrod (0.5in./1.27cm diameter). Other installation, such as **flushmount**, is *not* available for this fan.

**Installation requires these tools:**  
Phillips screwdriver, flat-head screwdriver, adjustable pliers or wrench, stepladder, wire cutters, and rated electrical tape.



### 4. Hanging Bracket Installation.

Turn off circuit breakers to current fixture from breaker panel and be sure operating light switch is turned to the OFF position.

**WARNING:** Failure to disconnect power supply prior to installation may result in serious injury.

Remove existing fixture.

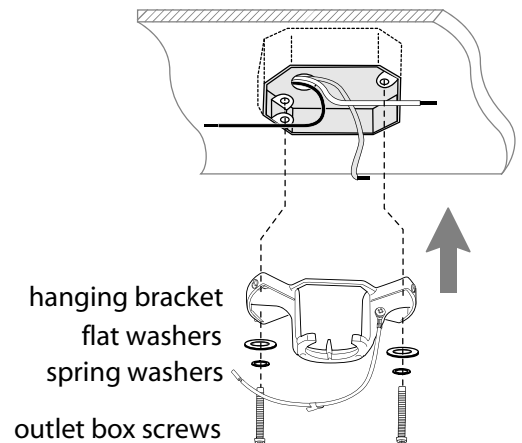
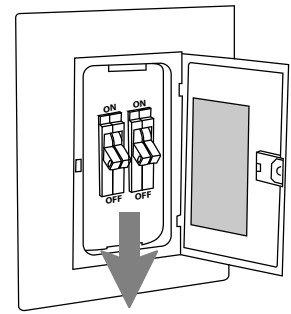
**WARNING:** When using an existing outlet box, be sure the outlet box is securely attached to the building structure and can support the full weight of the fan. Ensure outlet box is clearly marked "Suitable for Fan Support." If not, it must be replaced with an approved outlet box. Failure to do so can result in serious injury.

**CAUTION:** Be sure outlet box is properly grounded and that a ground (**GREEN** or bare) wire is present.

Partially loosen screws in slotted holes of canopy. Remove the other 2 screws--save for later use. Twist canopy to remove hanging bracket from canopy.

Install hanging bracket to outlet box, using original screws, spring washers and flat washers provided with new or original outlet box.\* If installing on a vaulted ceiling, face opening of hanging bracket towards high point of ceiling. Arrange electrical wiring around the back of the hanging bracket.

**\*Note:** It is very important that you use the proper hardware when installing the hanging bracket as this will support the fan.



## 5. Fan Assembly.

Remove hanging ball from downrod provided by loosening set screw on hanging ball. Remove pin and clip. Lower hanging ball and remove stop pin. Then slide hanging ball off downrod. [Refer to **diagram 1.**]

Remove vice from safety cable by loosening the screw and nut on the vice. Loosen yoke set screws and nuts at top of motor housing. [Refer to **diagram 2.**]

**Tip:** To prepare for threading electrical wires through downrod, apply a small piece of electrical tape to the ends of the electrical wires -- this will keep the wires together when threading them through the downrod. [Refer to **diagram 2.**]

Determine the length of downrod you wish to use. Thread safety cable and electrical wires through threaded end of downrod and pull extra wire slack from the upper end of the downrod. [Refer to **diagram 2.**]

Thread downrod into the motor housing yoke until holes for pin and clip in downrod align with holes in yoke--*make sure wires do not get twisted.* Re-insert pin and clip previously removed. Tighten yoke set screws and nuts securely. [Refer to **diagram 2.**]

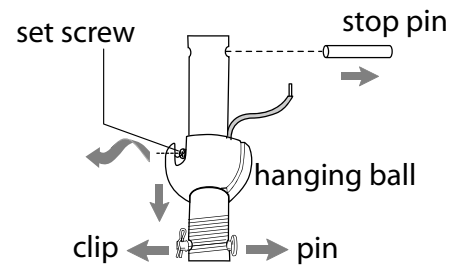
Slide yoke cover and canopy over downrod. [Refer to **diagram 3.**]

Thread safety cable and wires through hanging ball and then slide hanging ball over downrod -- the top of the downrod should be noted as having a set screw hole; use this hole when setting the set screw. Insert stop pin into top of downrod and raise hanging ball. Be sure stop pin aligns with slots on the inside of the hanging ball. Tighten set screw securely. [Refer to **diagram 4.**]

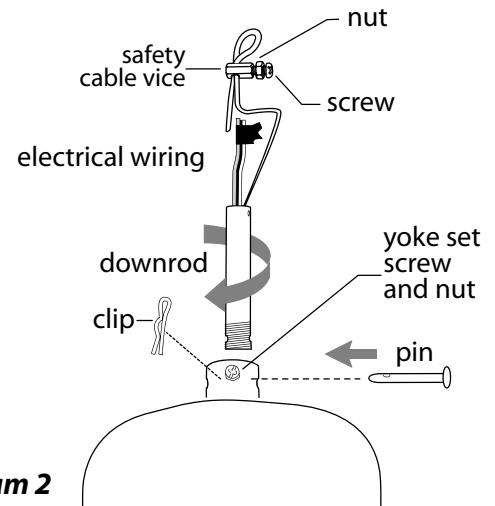
**WARNING:** Failure to tighten set screw (on hanging ball) completely could result in the fan becoming loose and possibly falling.

**["Fan Assembly" continued on next page.]**

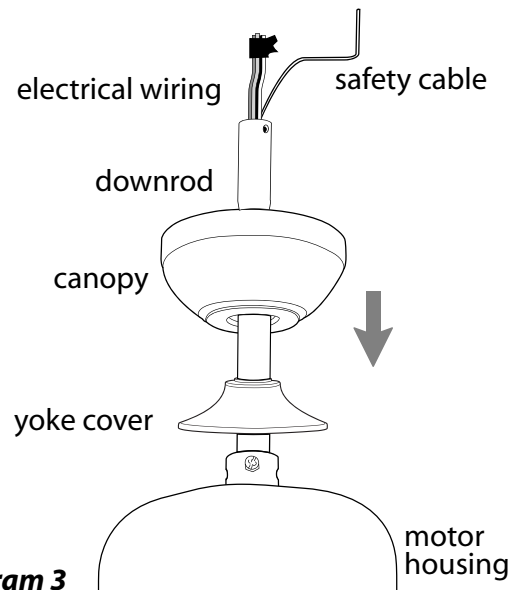
**NOTE:** The important safety precautions and instructions appearing in the manual are not meant to cover all possible conditions and situations that may occur. It must be understood that common sense and caution are necessary factors in the installation and operation of this fan.



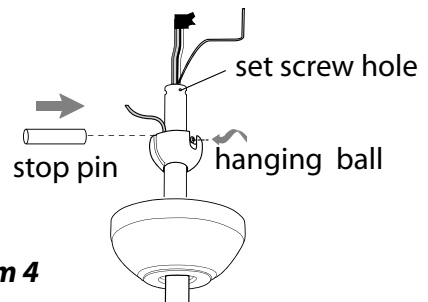
**diagram 1**



**diagram 2**



**diagram 3**



**diagram 4**

## 5. Fan Assembly. (cont.)

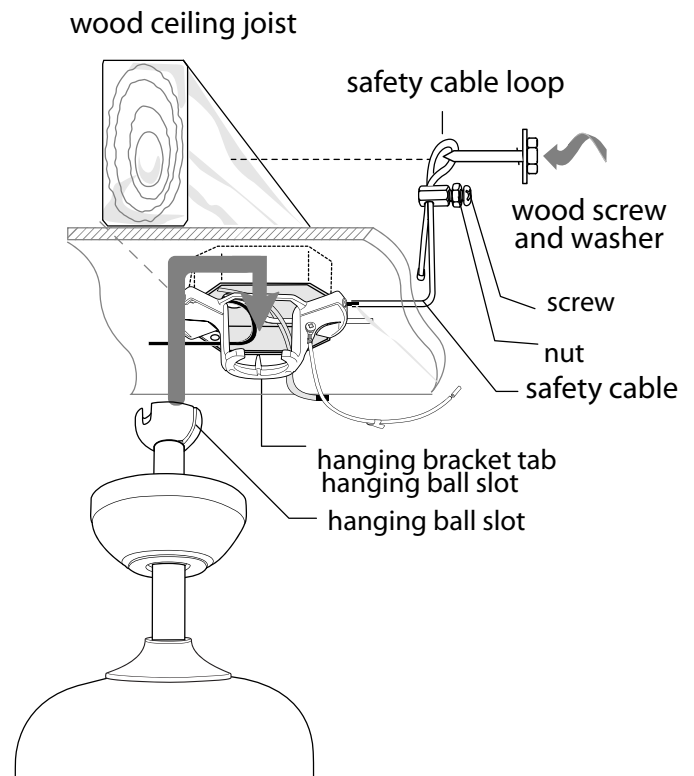
With the hanging bracket secured to the outlet box and able to support the fan, you are now ready to hang your fan. Grab the fan firmly with two hands. Slide downrod through opening in hanging bracket and let hanging ball rest on the hanging bracket. Turn the hanging ball slot until it lines up with the hanging bracket tab.

**WARNING:** Failure to align slot in hanging ball with tab in hanging bracket may result in serious injury or death.

**Tip:** Seek the help of another person to hold the stepladder in place and to help lift the fan up to you once you are set on the ladder.

Find a secure attachment point (wood ceiling joist highly recommended) and secure safety cable. It will be necessary to use a heavy duty wood screw, washer and lock washer (not supplied) with the safety cable loop.

Replace vice on safety cable and adjust safety cable length by pulling on the cable. Adjust slack in cable to a hands length and secure vice by tightening screw and nut securely. The loop at the end of the safety cable should just fit over the threads on the wood screw. *Test safety cable by pulling on loose end with pliers. If the safety cable slips, the screw and nut on the vice must be set tighter.* Extra cable slack can be left in ceiling area.



## 6. Wiring

**WARNING:** Turn off circuit breakers to current fixture from breaker panel and be sure switch is turned to the OFF position.

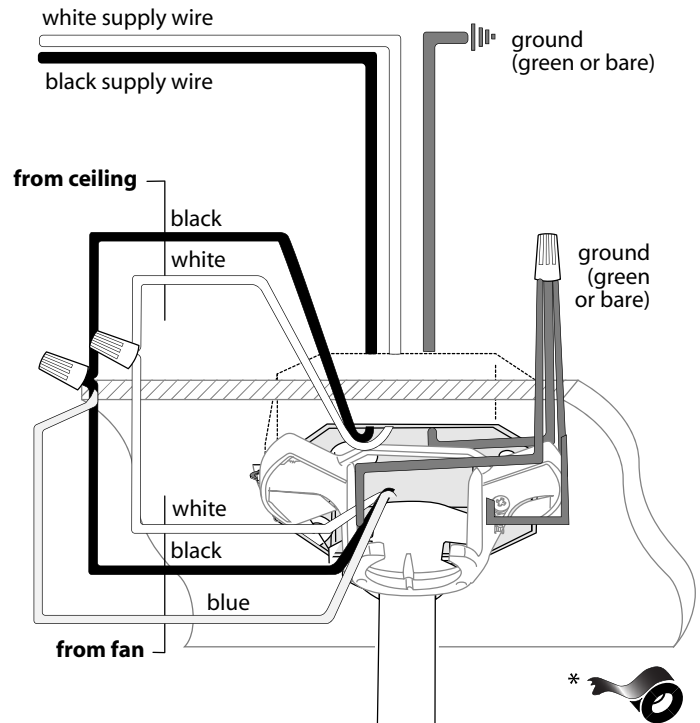
**CAUTION:** Be sure outlet box is properly grounded and that a ground wire (**GREEN** or Bare) is present.

Make sure all electrical connections comply with Local Codes or Ordinances and the National Electrical Code. If you are unfamiliar with electrical wiring or if the house/building wires are different colors than those referred to in the instructions below, please use a qualified electrician.

**Note:** Excess lead wire length from the fan can be cut to the desired length and then stripped.

When fan is secured in place on the hanging bracket, electrical wiring can be made as follows: Connect **BLACK** and **BLUE** wires from fan to **BLACK** wire from ceiling. Connect **WHITE** wire from fan to **WHITE** wire from ceiling. Connect all **GROUND (GREEN)** wires together from fan to **BARE/GREEN** wire from ceiling. Use wire connectors provided when making connections.

\* Wrap each wire connector separately with electrical tape as an extra safety measure.



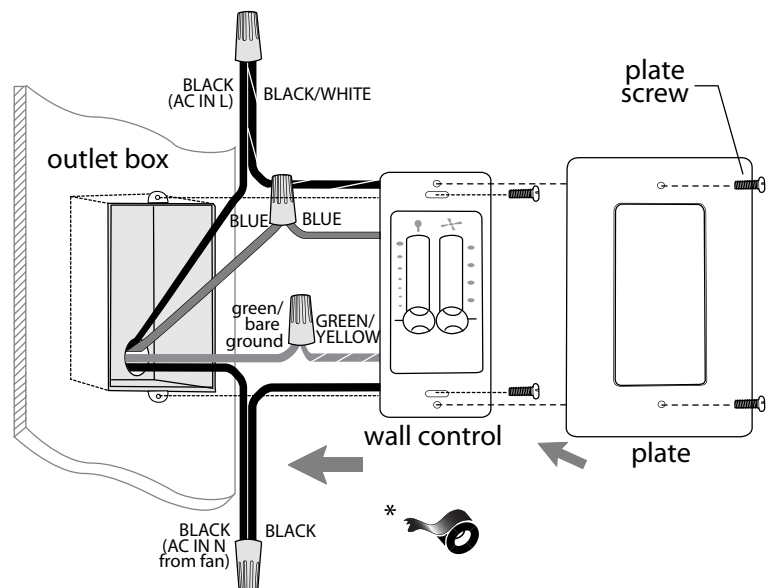
## 7. Wiring - Wall Control

Remove existing wall switch. Wire the wall control as shown in diagram at right.

Connect **BLACK/WHITE** wire from wall control to **BLACK (AC IN L)** wire in outlet box. Connect **BLACK** wire from wall control to **BLACK (AC IN N)** wire from fan (inside the outlet box). Connect **BLUE** wire from wall control to **BLUE** wire from light in the outlet box. Connect **GREEN/YELLOW** ground wire from wall control to ground wire in the outlet box. Use wire connectors provided when making connections.

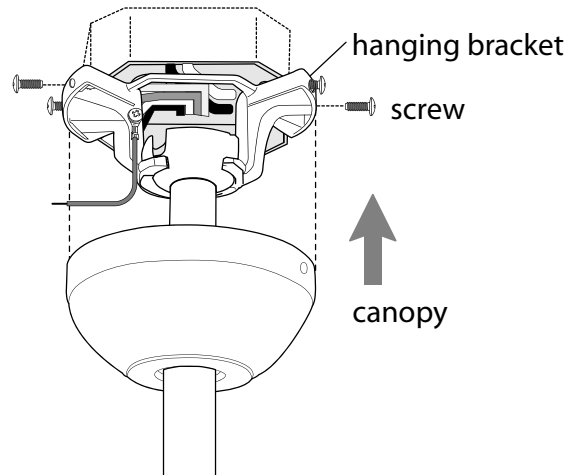
\*Wrap each wire connector separately with electrical tape as an extra safety measure. Gently push wires and taped wire connectors into outlet box.

Attach wall control to outlet box and secure with screws from original wall switch. Attach plate (included) to wall control using 2 screws provided with the wall control.



## 8. Canopy Assembly.

Raise canopy to hanging bracket and align slotted holes in canopy with loosened screws in hanging bracket. Twist canopy to lock. Re-insert screws previously removed (on page 3, Section 4) and secure all screws with a Phillips screwdriver.



## 9. Blade Assembly.

Loosen the screws in the 2 slotted holes in the LED light kit (located on the underside of the motor housing) and remove the other screw. Twist LED light kit and pull down carefully in order to remove.

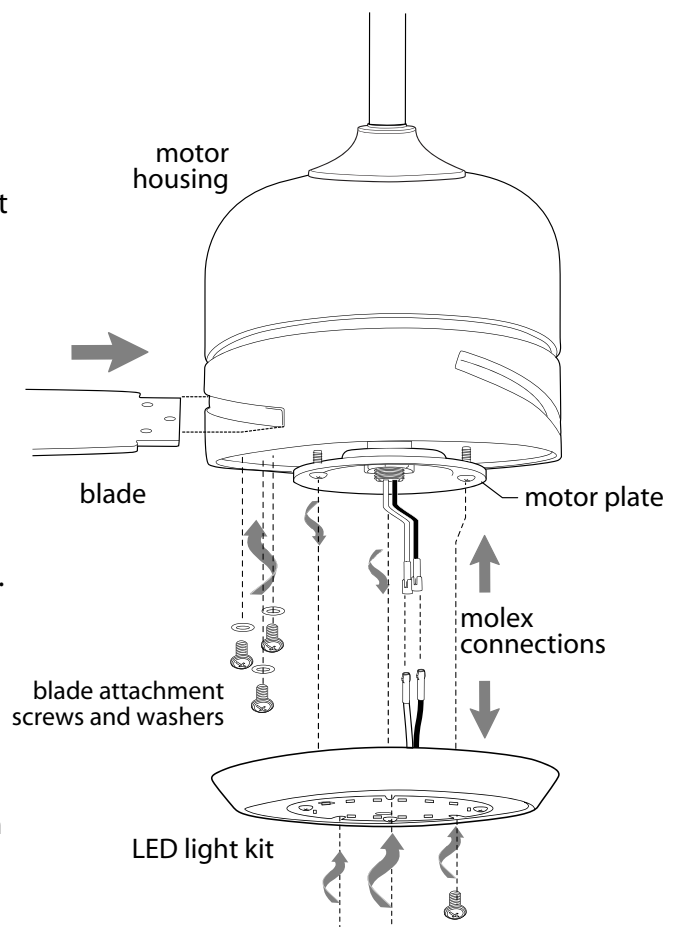
**Note:** Molex plugs must be disconnected before removing the LED light kit from motor housing. Molex plugs may be disconnected by simply pulling them apart.

**Time Saver:** Washers for blade screws can be set on each blade screw prior to installing blades.

**WARNING:** To reduce the risk of serious bodily injury, DO NOT use power tools to assemble the blades. If overtightened, blades may crack and break.

Locate 12 blade attachment screws and washers in hardware pack. Slide a blade through one of the narrow, rectangular openings on motor housing, aligning holes in blade with holes in blade arm (located inside of the underside of motor housing)--refer to drawing at right. Insert 3 blade attachment screws (along with washers) and tighten screws securely with a Phillips screwdriver. Repeat procedure for each remaining blade.

**Note:** Tighten blade arm screws twice a year.



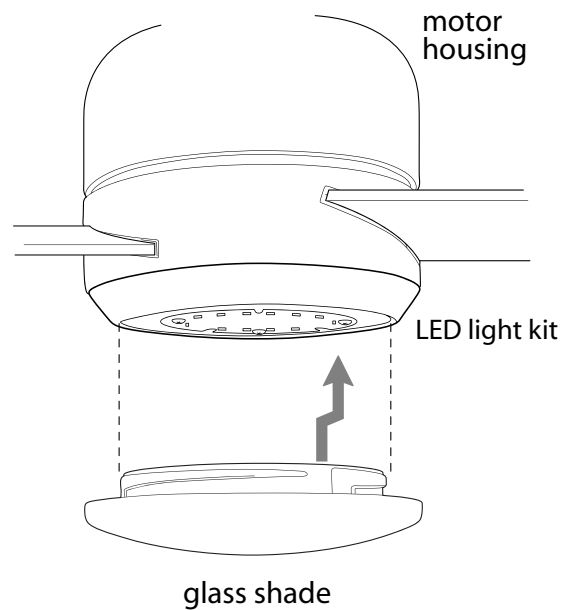


## 10. Light Kit Assembly.



Re-attach moxle plugs, connect **BLACK** wire from motor housing to **BLACK** wire from LED light kit and **WHITE** wire from motor housing to **WHITE** wire from LED light kit. Be sure that moxle connections snap together completely.

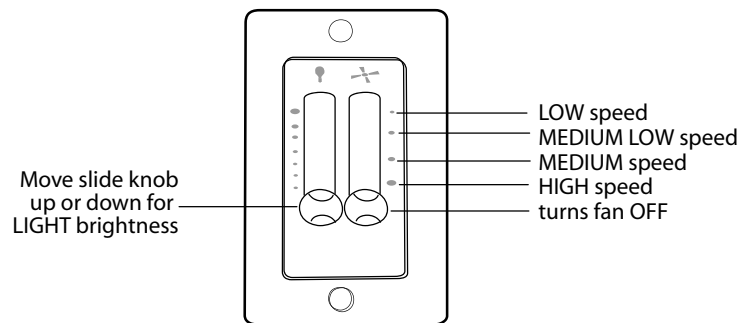
Carefully arrange wiring within the motor plate. Align slotted holes in the LED light kit with loosened screws in motor plate--*be careful not to pinch wires or moxle connections between the LED light kit and the motor plate*. Twist LED light kit to lock. Re-insert screw previously removed (Section 9). Tighten all 3 screws to secure LED light kit.

Locate grooves on glass shade and align with nodules on inside of LED light kit. Push up gently on glass shade. Turn glass shade in a *clockwise* direction until it slides into place.



## 11. Wall Control Operation.

The wall control is operational for fan  and light  (dimmer).



## 12. Testing Your Fan.

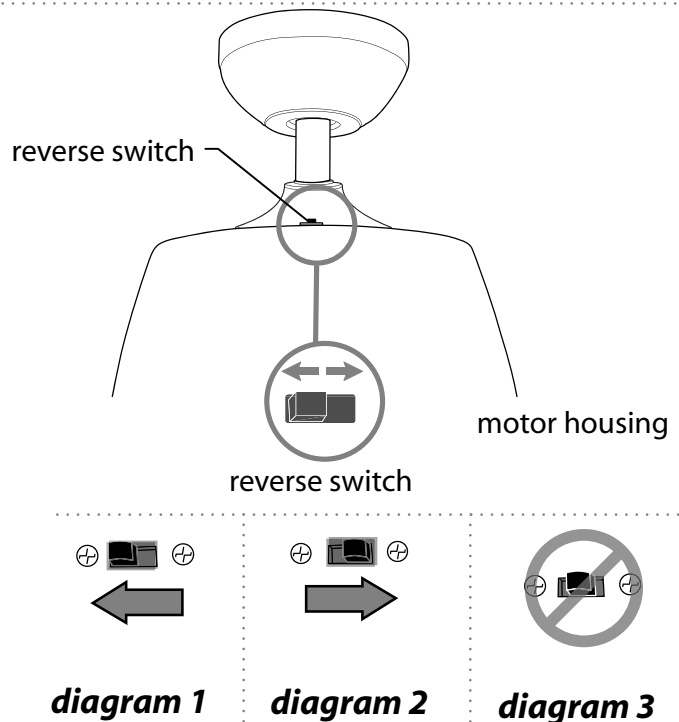
It is recommended that you test fan before finalizing installation. Slide the knobs to OFF position on wall control. Restore power from circuit box. Test light and dimmer function and then test fan speeds. If fan and/or light do (does) not function, please refer to "Troubleshooting" section to solve any issues before contacting Customer Service.

Turn fan completely off *before* moving the reverse switch. Set reverse switch to recirculate air depending on the season:

- LEFT position in summer (**diagram 1**)
- RIGHT position in winter (**diagram 2**)

A ceiling fan will allow you to raise your thermostat setting in summer and lower your thermostat setting in winter without feeling a difference in your comfort.

**Important:** Reverse switch must be set either *completely LEFT* or *completely RIGHT* for fan to function. If the reverse switch is set in the *middle* position (**diagram 3**), fan will not operate.



## Troubleshooting.

**WARNING:** Failure to disconnect power supply prior to troubleshooting any wiring issues may result in serious injury.

**Problem:** Fan fails to operate.

**Solutions:**

1. Check power to fan.
2. Check to be sure fan is wired properly.
3. Check to be sure wall control is wired properly.
4. Verify that reverse switch is set completely in either direction.

**Problem:** Fan operates but light fails.

**Solutions:**

1. Check to be sure wires in canopy are wired properly.
2. Verify that wall control is wired properly.
3. Verify that molex connections in LED light kit are properly connected.

**Problem:** Fan wobbles.

**Solutions:**

1. Use the balancing kit provided in one of the hardware packs. *If no blade balancing kit is provided, please call Customer Support, 1-800-486-4892, to request one.*
2. Check to be sure set screw(s) on motor housing yoke is (are) tightened securely.
3. Check to be sure set screw on hanging ball is tightened securely.

## Parts Replacement.

For parts and information, please refer to "Parts Inventory" on page 2.

Craftmade Customer Support:

**1-800-486-4892**

[www.craftmade.com](http://www.craftmade.com)

## Warranty.

CRAFTMADE™ LIFETIME LIMITED WARRANTY:

CRAFTMADE warrants this fan to the original household purchaser for indoor use under the following provisions:

**1-YEAR WARRANTY:** CRAFTMADE will replace or repair any fan which has faulty performance due to a defect in material or workmanship. Contact Craftmade Customer Service at **1-800-486-4892** to arrange for return of fan. Return fan, shipping prepaid, to Craftmade. We will repair or ship you a replacement fan, and we will pay the return shipping cost.

**5-YEAR WARRANTY:** CRAFTMADE will repair or replace, at no charge to the original purchaser, any fan motor that fails to operate satisfactorily when failure results from normal use.

**RETURN FAN MOTOR ONLY,** shipping prepaid, to Craftmade Industries. We will repair or ship purchaser a replacement motor and Craftmade will pay the return shipping cost.

**6-YEAR to LIFETIME LIMITED WARRANTY:** CRAFTMADE will repair the fan, at no charge for labor only to the original purchaser, if the fan motor fails to operate satisfactorily when failure results from normal use. Parts used in the repair will be billed to the purchaser at prevailing prices at time of repair.

The purchaser shall be responsible for all costs incurred in the removal, reinstallation and shipping of the product for repairs.

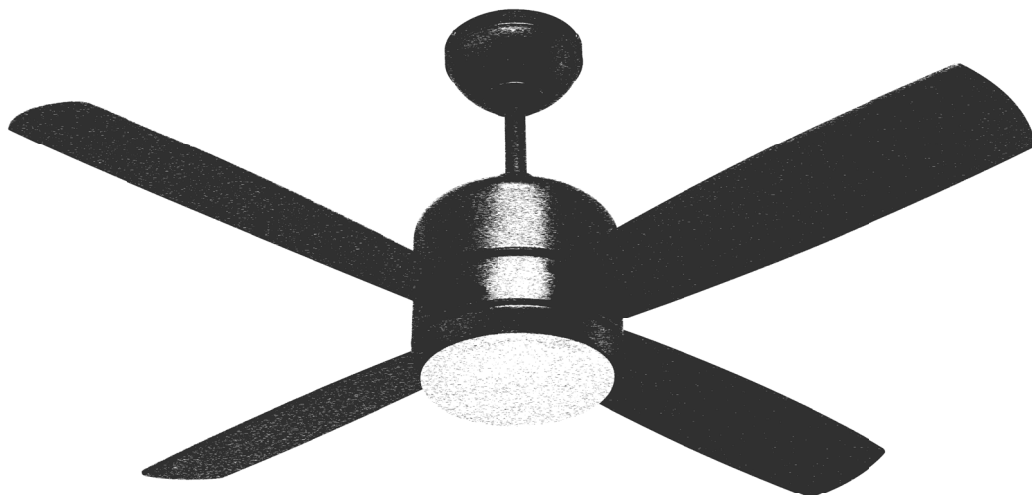
This warranty does not apply when damage from mechanical, physical, electrical or water abuse results in causing the malfunction. Deterioration of finishes or other parts due to time or exposure to salt air is specifically exempted under this warranty.

Neither Craftmade nor the manufacturer will assume any liability resulting from improper installation or use of this product. In no case shall the company be liable for any consequential damages for breach of this, or any other warranty expressed or implied whatsoever. This limitation as to consequential damages shall not apply in states where prohibited.

# CRAFTMADE™

# CRAFTMADE™

LEER ESTAS INSTRUCCIONES Y  
GUARDARLAS PARA UTILIZACION FUTURA



## Montreal

# Guía de instalación

Para modelo:  
**MN44-LED**

### Índice de materias:

- Sugerencias de seguridad. Pág. 1
- Desempaquetado del ventilador. Pág. 2
- Inventario de piezas. Pág. 2
- Preparación para la instalación. Pág. 3
- Instalación del soporte de montaje. Pág. 3
- Ensamblaje del ventilador. Págs. 4 - 5
- Instalación eléctrica. Pág. 6
- Instalación eléctrica - control de pared. Pág. 6
- Colocación de la cubierta decorativa. Pág. 7
- Colocación de las aspas. Pág. 7
- Instalación del juego de luz LED. Pág. 8
- Funcionamiento del control de pared. Pág. 8
- Verificación del funcionamiento del ventilador. Pág. 8
- Localización de fallas. Pág. 9
- Piezas de repuesto. Pág. 9
- Garantía. Pág. 9



**Intertek**  
4009218

peso neto del ventilador: 6,1 kg (13,45 lb)

IMPRESO EN CHINA

# SUGERENCIAS DE SEGURIDAD.

**ADVERTENCIA:** Para evitar la posibilidad de una descarga eléctrica, desconectar la corriente en la caja de fusibles principal o el interruptor protector antes de iniciar la instalación del ventilador o antes de repararlo o instalar accesorios.

**1. LEER TODAS LAS INSTRUCCIONES E INFORMACION DE SEGURIDAD CUIDADOSAMENTE ANTES DE INSTALAR SU VENTILADOR Y GUARDAR ESTAS INSTRUCCIONES.**

**PRECAUCION:** Para reducir el riesgo de daño corporal, es posible que sea necesario usar guantes al manejar las piezas del ventilador que tengan bordes afilados.

2. Asegurarse de que todas las conexiones eléctricas cumplan con los Códigos o las Ordenanzas Locales, el Código Nacional Eléctrico y ANSI/NFPA 70-1999. Si usted no está familiarizado con el alambrado eléctrico o los cables de la casa/el edificio son de colores diferentes a los cuales se refieren en las instrucciones, favor de buscar un electricista calificado.
3. Asegurarse de que haya localizado una ubicación para su ventilador que permite el espacio necesario para la rotación de las aspas, y por lo menos 2,13 metros (7 pies) de espacio libre entre el piso y las puntas de las aspas. Debe instalar el ventilador para que las puntas de las aspas queden una distancia de por lo menos 76 centímetros (30 pulgadas) de las paredes y otras estructuras verticales.
4. La caja de salida eléctrica debe estar bien sujeta a la viga de soporte del techo y deben ser capaces de sostener por lo menos 16 kilogramos (35 libras). La caja de salida debe tener apoyo directo de la estructura del edificio. Sólo usar cajas de salida registradas con CETL o CUL en Canadá o ETL o UL en EEUU que indican que "sirven para ventilador" ("FOR FAN SUPPORT" en inglés).

**ADVERTENCIA:** Para reducir el riesgo de incendio, descarga eléctrica o daño corporal, instalar en la caja de salida marcada "Aceptable para sostener ventilador de 15,9 kg (35 lb) o menos" ["Acceptable for Fan Support of 15.9 kg (35 lbs) or less"] y utilizar los tornillos proporcionados con la caja de salida. La mayoría de las cajas de salida que se usan normalmente para sostener aparatos de alumbrado no siempre son apropiadas para sostener ventiladores y es posible que las tenga que reemplazar. En caso de duda, consultar con un electricista calificado.

**ADVERTENCIA:** Para reducir el riesgo de incendio, descarga eléctrica o daño corporal, los conectores para cable provistos con este ventilador son diseñados para aceptar sólo un cable de calibre 12 de la casa y dos cables principales del ventilador. Si el calibre del cable de la casa es superior al 12 o hay más de un cable de la casa para conectar a los cables principales del ventilador al cual corresponda cada uno, consultar con un electricista para informarse sobre el tamaño correcto de conectores para cable que se debe usar.

5. Los diagramas eléctricos son únicamente para referencia.
6. Después de haber terminado la instalación, asegurarse de que todas las conexiones estén totalmente seguras.
7. Después de haber terminado todas las conexiones eléctricas, los conductores empalmados deben ser volteados para arriba y colocados cuidadosamente dentro de la caja de salida. Los alambres se deben de separar con el conductor a tierra a un lado y el conductor a tierra del equipo al lado opuesto.

**ADVERTENCIA:** Para reducir el riesgo de incendio o un choque eléctrico, no usar el ventilador con ningún control de velocidad de estado sólido ni controlar la velocidad del ventilador con un interruptor con reductor de luz de gama completa. [El usar un interruptor con reductor de luz de gama completa para controlar la velocidad del ventilador causará un zumbido recio del ventilador].

8. No utilizar el interruptor de reversa hasta que el ventilador se haya parado completamente. **[Nota:** Si se usa un control remoto con capacidad de reversa, cambiar la dirección de las aspas sólo cuando el ventilador esté en velocidad BAJA].
9. No introducir ningún objeto entre las aspas mientras estén rotando.

**ADVERTENCIA:** Para reducir el riesgo de daño corporal, no doblar los brazos de las aspas durante el ensamblaje ni durante la instalación. No introducir objetos entre las aspas mientras estén rotando.

**ADVERTENCIA:** Para reducir el riesgo de daño corporal o algún daño al ventilador, tener cuidado al estar trabajando alrededor del ventilador o limpiándolo.

10. No utilizar agua ni detergentes para limpiar el ventilador ni las aspas. Usar un trapo seco o ligeramente húmedo para su limpieza general.

**ADVERTENCIA:** Para reducir el riesgo de daño corporal, usar **sólo** las piezas provistas con este ventilador. **Al usar piezas DISTINTAS a las provistas con este ventilador se invalidará la garantía.**

**ADVERTENCIA:** Este ventilador DEBE instalarse con el cable de seguridad provisto. Si no se utiliza el cable de seguridad provisto, se pueden producir lesiones personales, daños al ventilador o a otras propiedades.

**PRECAUCIÓN:** NO manipular ni intentar reparar el componente LED de la lámpara. La fuente de luz está diseñada para esta aplicación específica y el mantenimiento no debe estar a cargo de personal sin capacitación. Si necesita algún tipo de mantenimiento, llamar a nuestro departamento de Servicio al cliente.

11. El juego de luz LED se puede regular al 10% con reguladores seleccionados.

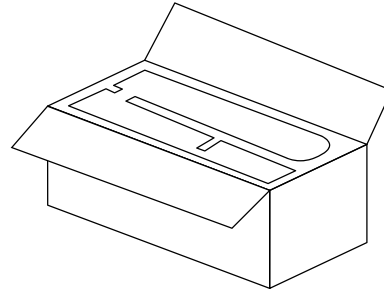
NOTA: Se han hecho pruebas en este equipo y se ha comprobado que cumple con los límites para un aparato digital de clase B, de acuerdo con la Parte 15 de las Reglas de la FCC. Se concibieron estos límites para proveer protección razonable contra la interferencia adversa en una instalación residencial. Este equipo produce, usa y puede radiar energía de radiofrecuencia y, si no se instala y no se usa según las instrucciones, puede causar interferencia adversa en la radiocomunicación. Sin embargo, no hay ninguna garantía de que no habrá interferencia en una instalación en particular. Si este equipo sí causa interferencia adversa en la recepción de radio o televisión, que se puede determinar apagando y prentiendo el equipo, se le urge al usuario a intentar rectificar la interferencia tomando una o más de las medidas que siguen:

- \* Orientar la antena de nuevo o localizarla en otro sitio.
- \* Aumentar la separación entre el equipo y el receptor.
- \* Conectar el equipo a un tomacorriente en un circuito distinto al cual está conectado el receptor.
- \* Solicitar ayuda del distribuidor o un técnico de radio/televisión.

**NOTA:** No se debe concluir que las precauciones de seguridad importantes e instrucciones en este manual van a abarcar todas las condiciones y situaciones posibles que puedan ocurrir. Se debe entender que el sentido común y la precaución son factores necesarios en la instalación y la operación de este ventilador.

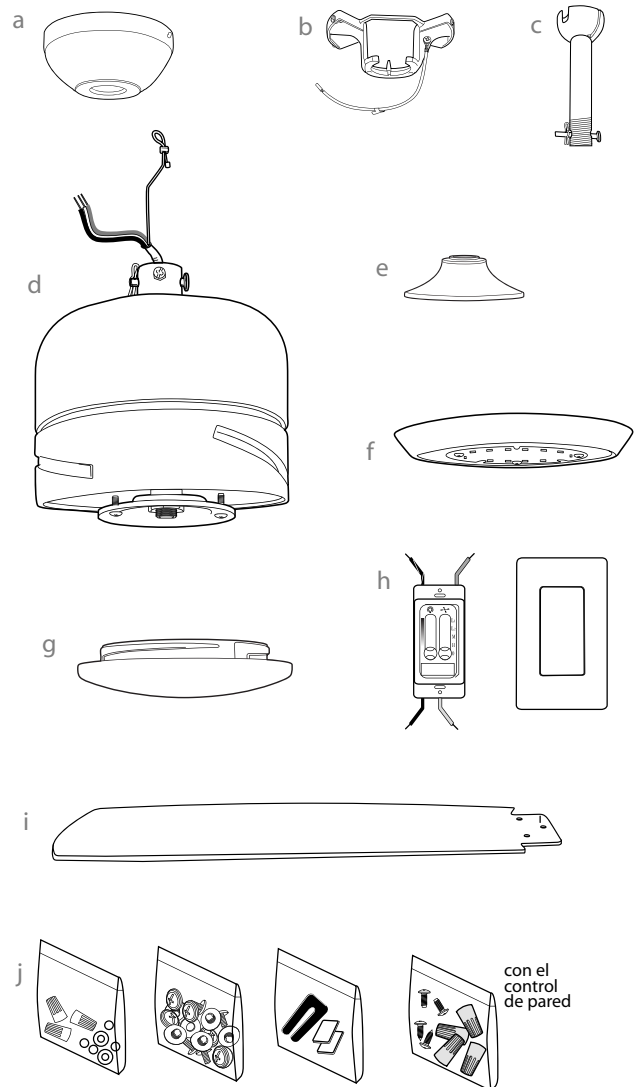
# 1. Desempaquetado del ventilador.

Abrir el empaque cuidadosamente. Sacar los artículos del embalaje. Sacar el motor y ponerlo en una alfombra o en el embalaje para evitar rayar el acabado. Guardar la caja de cartón o el empaquetamiento original en caso de que tenga que mandar el ventilador para alguna reparación. Comprobar las piezas del ventilador con el inventario de piezas y verificar que se incluyeron todas.



## 2. Inventario de piezas.

- a.** cubierta decorativa. 1 unidad
- b.** soporte de montaje (prefijado a la cubierta decorativa). 1 unidad
- c.** tubo (con perno y clavija) y bola que sirve para colgar. 1 unidad
- d.** bastidor del motor. 1 unidad
- e.** cubierta del cuello. 1 unidad
- f.** juego de luz LED (prefijado al bastidor del motor). 1 unidad
- g.** pantalla de vidrio. 1 unidad
- h.** control de pared y placa. 2 unidades
- i.** aspa. 4 unidades
- j.** paquetes de artículos de ferretería



**⚠ RECORDATORIO IMPORTANTE:**  
Se tienen que utilizar las piezas provistas con este ventilador para una instalación adecuada y su seguridad. **⚠**

### 3. Preparación para la instalación.

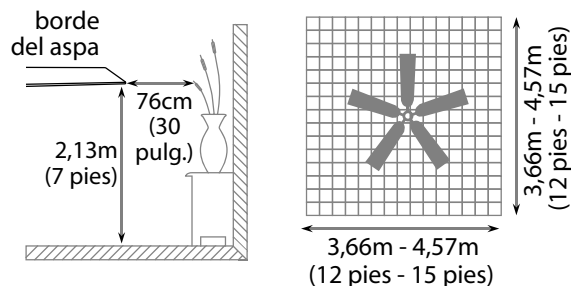
Para prevenir daño corporal y otros daños, estar seguro de que el lugar en donde va a colgar el ventilador le permite un espacio libre de 2,13m (7 pies) entre las puntas de las aspas y el piso y 76cm (30 pulg.) entre las aspas y cualquier pared u otra obstrucción.

Este ventilador es adecuado para habitaciones hasta 20,9 metros cuadrados (225 pies cuadrados).

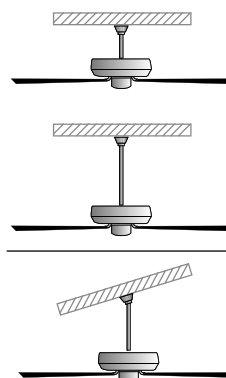
Se puede colgar este ventilador **con tubo** en un techo regular (sin inclinación) o abovedado. La longitud colgante se puede extender comprando un tubo más largo (con diámetro de 1,27cm/0,5 pulg.). No hay ningún otro tipo de instalación, como **al ras con el techo**, disponible para este ventilador.

#### Se necesitan las herramientas siguientes para la instalación:

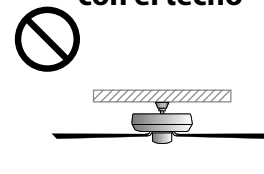
Destornillador de estrella Phillips, destornillador de paleta (plano), alicates ajustables o llave de tuercas, escalera de tijera, cortaalambres y cinta aisladora.



#### instalación con tubo



#### instalación al ras con el techo



El ángulo de inclinación de un techo abovedado no puede exceder los 25 grados.

### 4. Instalación del soporte de montaje.

Apagar los cortacircuitos en el panel de electricidad que suplen corriente a la caja de salida y asegurarse de que el interruptor de luz esté APAGADO.

**ADVERTENCIA:** El no desconectar el suministro de fuerza antes de la instalación puede tener por resultado lesiones graves.

Quitar el aparato existente.

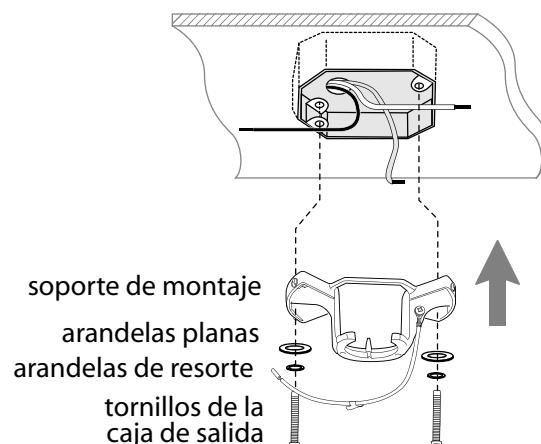
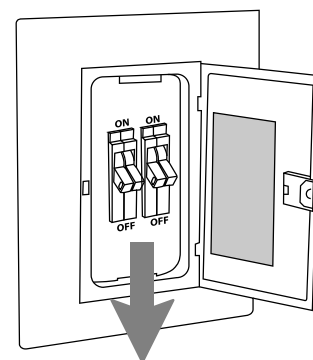
**ADVERTENCIA:** Si utiliza una caja de salida existente, asegurarse de que la caja de salida esté firmemente conectada a la estructura del edificio y que sea capaz de sostener el peso total del ventilador. Asegurarse de que la caja de salida indique claramente que "Sirve para ventilador" (FOR FAN SUPPORT); si no, se debe reemplazar con una caja de salida aprobada. El no hacer el cambio si es necesario puede resultar en lesiones graves.

**PRECAUCION:** Asegurarse de que la caja de salida esté conectada a tierra correctamente y que haya un conductor a tierra (VERDE o pelado).

Parcialmente aflojar los tornillos en los agujeros con ranura en la cubierta decorativa. Quitar los otros 2 tornillos--guardarlas para uso más adelante. Girar la cubierta decorativa para sacar el soporte de montaje.

Instalar el soporte de montaje utilizando los tornillos originales, las arandelas de resorte y las arandelas planas de su nueva o existente caja de salida.\* Si hace la instalación en un techo abovedado, colocar el soporte de montaje con la abertura dirigida hacia la parte alta del techo. Arreglar el alambreado eléctrico en la parte trasera del soporte del soporte.

**\*Nota:** Es muy importante usar los artículos de ferretería correctos al instalar el soporte de montaje puesto que sirve para sostener el ventilador.



## 5. Ensamblaje del ventilador.

Para quitar la bola que sirve para colgar del tubo provisto aflojar el tornillo de fijación de la bola que sirve para colgar. Quitar el perno y la clavija. Bajar la bola que sirve para colgar y quitar la bola que sirve para colgar del tubo deslizándola. [Referirse al **diagrama 1**].

Quitar el seguro del cable de seguridad aflojando el tornillo y la tuerca en el seguro. Aflojar los tornillos de fijación del cuello y las tuercas en la parte superior del bastidor del motor. [Referirse al **diagrama 2**].

**Sugerencia:** Para preparar los cables para pasarlos por el tubo, poner un pedacito de cinta aisladora en la punta de los cables -- esto mantendrá los cables juntos al pasarlos por el tubo. [Referirse al **diagrama 2**].

Determinar el largo del tubo que desea usar. Pasar los cables del ventilador y el cable de seguridad a través del extremo roscado del tubo y con cuidado jalar el cableado en exceso por la parte de arriba del tubo. [Referirse al **diagrama 2**].

Enroscar el tubo en el cuello del bastidor del motor hasta alinearse los agujeros para el perno y la clavija en el tubo con los del cuello — asegurarse de que no se tuerzan los cables. Volver a introducir el perno y la clavija que se quitaron anteriormente. Apretar los tornillos de fijación del cuello y la tuerca completamente. [Referirse al **diagrama 2**].

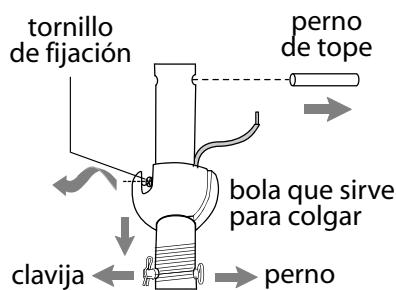
Deslizar la cubierta del cuello y la cubierta decorativa por el tubo. [Referirse al **diagrama 3**].

Pasar el cable de seguridad y los cables por la bola que sirve para colgar y luego deslizar la bola que sirve para colgar sobre el tubo -- la parte de arriba del tubo debe tener el agujero para el tornillo de fijación en ese extremo; usar ese agujero al colocar el tornillo de fijación. Introducir el perno de tope en la parte de arriba del tubo y subir la bola que sirve para colgar. Asegurarse de que el perno de tope se ponga en línea con las ranuras dentro de la bola que sirve para colgar. Apretar bien el tornillo de fijación. [Referirse al **diagrama 4**].

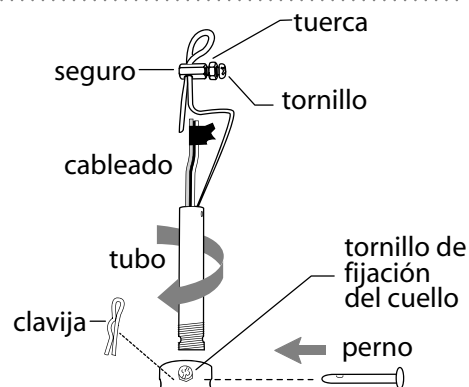
**ADVERTENCIA:** Si no se aprieta bien el tornillo de fijación (en la bola que sirve para colgar) es posible que se afloje el ventilador y se caiga.

[El "Ensamblaje del ventilador" continúa en la página siguiente.]

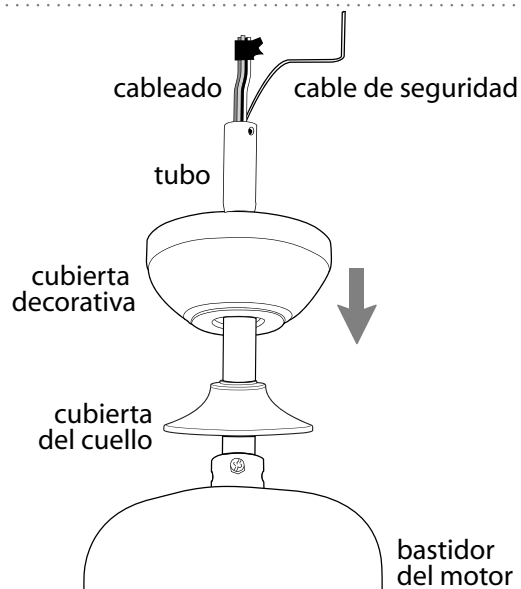
**NOTA:** No se debe concluir que las precauciones de seguridad importantes e instrucciones en este manual van a abarcar todas las condiciones y situaciones posibles que puedan ocurrir. Se debe entender que el sentido común y la precaución son factores necesarios en la instalación y la operación de este ventilador.



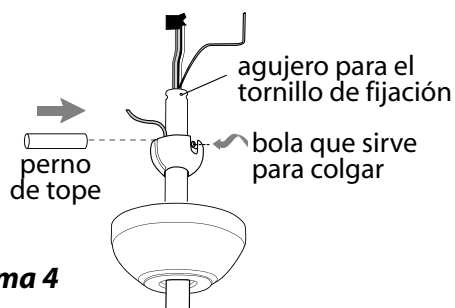
**diagrama 1**



**diagrama 2**



**diagrama 3**



**diagrama 4**

## 5. Ensamblaje del ventilador. (cont.)

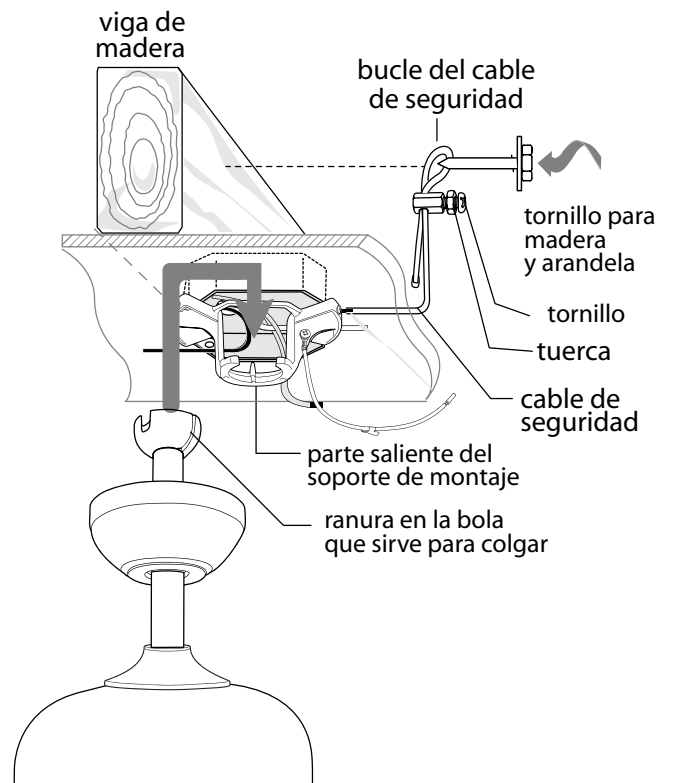
Ya que esté sujetado el soporte de montaje a la caja de salida y capaz de apoyar el ventilador, usted está listo para colgar el ventilador. Agarrar el ventilador firmemente con las dos manos. Deslizar el tubo por la abertura del soporte de montaje y dejar que se detenga la bola en el soporte de montaje. Girar la bola que sirve para colgar hasta que la ranura de la bola se alinee con la parte saliente del soporte de montaje.

**ADVERTENCIA:** El no alinear la ranura en la bola que sirve para colgar con la parte saliente del soporte de montaje puede causar lesiones graves o muerte.

**Sugerencia:** Solicitar ayuda de otra persona para mantener sujeta la escalera y para que le suba el ventilador cuando usted ya esté preparado en la escalera para colgarlo.

Encontrar un punto de acoplamiento seguro (se recomienda la viga de madera en el techo) y asegurar el cable de seguridad. Necesitará usar un tornillo para madera para trabajos pesados, arandela y arandela de seguridad (no provistos) en el bucle del cable de seguridad.

Volver a poner el seguro en el cable de seguridad y ajustar el largo del cable de seguridad jalando el cable. Ajustar la parte floja del cable para que mida como una mano y asegurar el seguro apretando bien el tornillo y la tuerca. El bucle en el extremo del cable de seguridad debe ser de tal tamaño que pase justo sobre la punta de la parte roscada del tornillo para madera. *Poner el cable a prueba, jalando con un alicate la parte suelta en la punta del cable. Si el cable se desliza, se debe apretar el tornillo y la tuerca del seguro del cable.* Se puede poner el cable en exceso en el área del techo.





## 6. Instalación eléctrica.

**ADVERTENCIA:** Apagar los cortacircuitos en el panel de electricidad que suplen corriente a la caja de salida y asegurarse de que el interruptor de luz esté **APAGADO**.

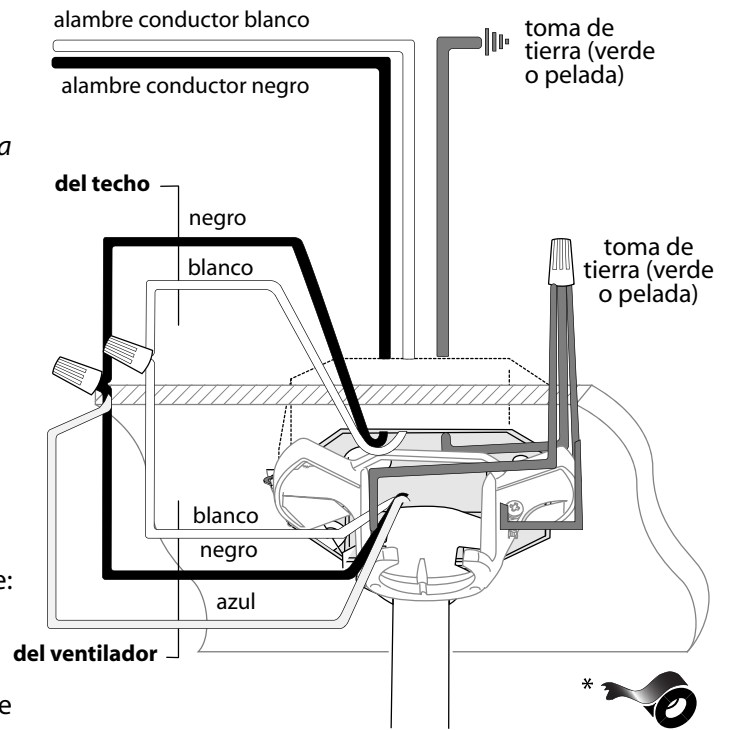
**PRECAUCIÓN:** Asegurarse de que la caja de salida esté conectada a tierra como es debido y que exista un conductor a tierra (**VERDE** o pelado).

Asegurarse de que toda conexión eléctrica cumpla con los Códigos o las Ordenanzas Locales y el Código Nacional Eléctrico. Si usted no está familiarizado con la instalación eléctrica o los cables de la casa/el edificio son de colores diferentes a los cuales se refieren a continuación, favor de consultar a un electricista calificado.

**Nota:** Si la longitud del alambrado que sale del ventilador es demasiado, se puede cortarl al largo deseado y luego pelarlo.

Una vez que el ventilador esté bien sujeto en el soporte de montaje, se puede hacer la instalación eléctrica como sigue: Conectar el cable **NEGRO** y **AZUL** del ventilador al cable **NEGRO** que sale del techo. Conectar el cable **BLANCO** del ventilador al cable **BLANCO** del techo. Conectar todos los **CONDUCTORES A TIERRA (VERDES)** del ventilador al cable **PELADO/VERDE** del techo. Use los conectores para cable provistos cuando haga las conexiones.

\* Como una medida de seguridad adicional, envolver cada conector para cable por separado con cinta aisladora.



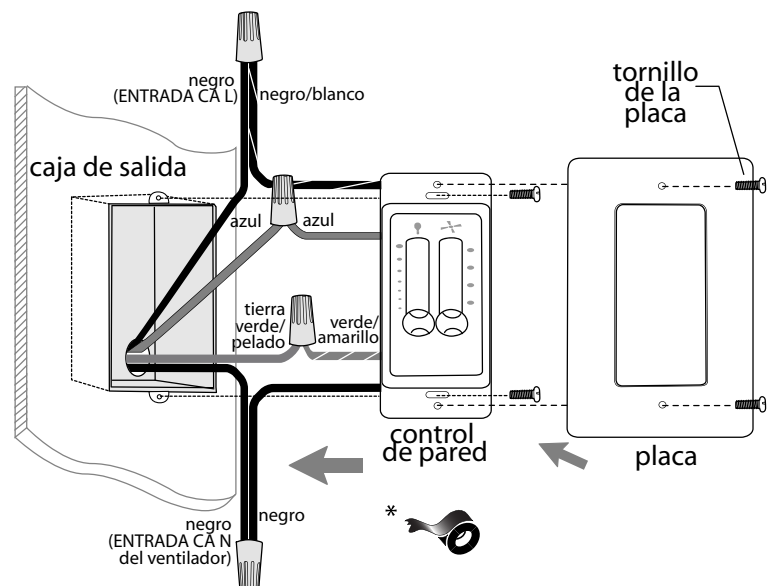
## 7. Instalación eléctrica - control de pared.

Quitar el interruptor de pared existente. Alambrar el control de pared como se muestra en el diagrama.

Conectar el cable **NEGRO/BLANCO** del control de pared al cable **NEGRO** (ENTRADA CA L o "AC IN L" en inglés) del ventilador (dentro de la caja de salida). Conectar el cable **NEGRO** del control de pared al cable **NEGRO** (ENTRADA CA N o "AC IN N" en inglés) del ventilador (dentro de la caja de salida). Conectar el cable **AZUL** del control de pared al cable **AZUL** de la luz en la caja de salida. Conectar el conductor a tierra **VERDE/AMARILLO** del control de pared al conductor a tierra de la caja de salida. Usar los conectores para cable provistos al hacer las conexiones.

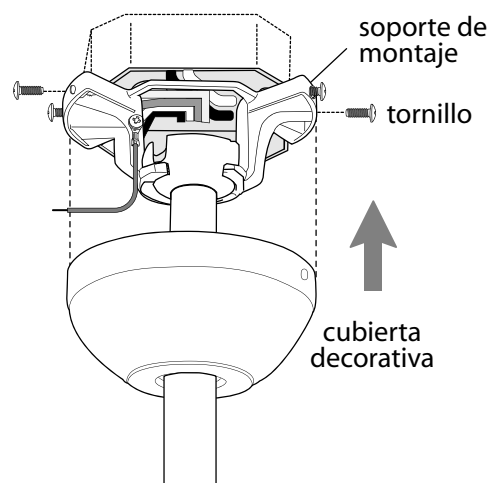
\* Como una medida de seguridad adicional, envolver cada conector para cable con cinta aisladora. Delicadamente meter los conectores para cable dentro de la caja de salida.

Sujetar el control de pared a la caja de salida y asegurarlo con los tornillos del interruptor de pared original. Sujetar la placa al control de pared usando los 2 tornillos provistos con el control de pared.



## 8. Colocación de la cubierta decorativa.

Subir la cubierta decorativa al soporte de montaje, alineando los agujeros con ranura en la cubierta decorativa con los tornillos aflojados en el soporte de montaje. Girar la cubierta decorativa para cerrarla. Volver a introducir los tornillos que se quitaron anteriormente (página 3, sección 4) en los otros agujeros y asegurar todos los tornillos con un destornillador de estrella Phillips.



## 9. Colocación de las aspas.

Aflojar los 2 tornillos en los agujeros con ranura dentro del juego de luz LED (localizado en el lado inferior del bastidor del motor) y quitar el otro tornillo. Girar el juego de luz LED y con cuidado jalarlo hacia abajo para quitarlo.

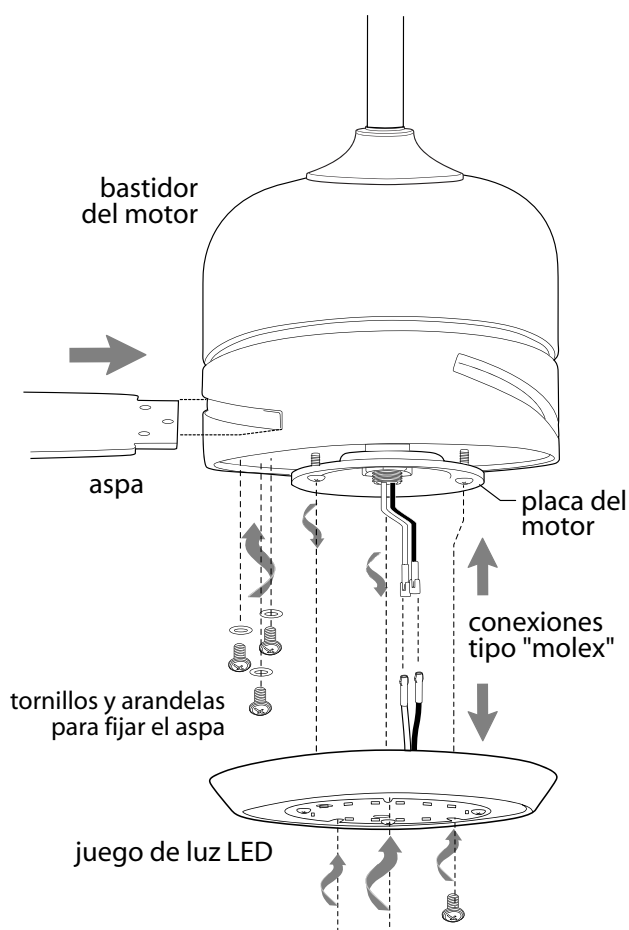
**Nota:** Se deben desconectar los enchufes tipo "molex" antes de quitar del bastidor del motor el juego de luz LED. Los enchufes tipo "molex" se desconectan simplemente separándolos.

**Para ahorrar tiempo:** Se pueden poner las arandelas en los tornillos que son para las aspas antes de colocar las aspas.

**ADVERTENCIA:** Para reducir el riesgo de lesiones corporales graves, NO utilice herramientas eléctricas para ensamblar las aspas. Si aprieta demasiado las aspas, estas podrían agrietarse y quebrarse.

Localizar 12 tornillos para fijar las aspas y las arandelas en uno de los paquetes de artículos de ferretería. Deslizar un aspa por una de las aberturas estrechas y rectangulares en el bastidor del motor, alineando los agujeros en el aspa con los agujeros en el brazo para el aspa (localizado adentro del lado inferior del bastidor del motor)--referirse al dibujo al lado. Introducir 3 tornillos para fijar el aspa (junto con las arandelas) y apretar bien con un destornillador de estrella Phillips. Repetir el procedimiento con las demás aspas.

**Nota:** Apretar los tornillos para los brazos para las aspas dos veces al año.

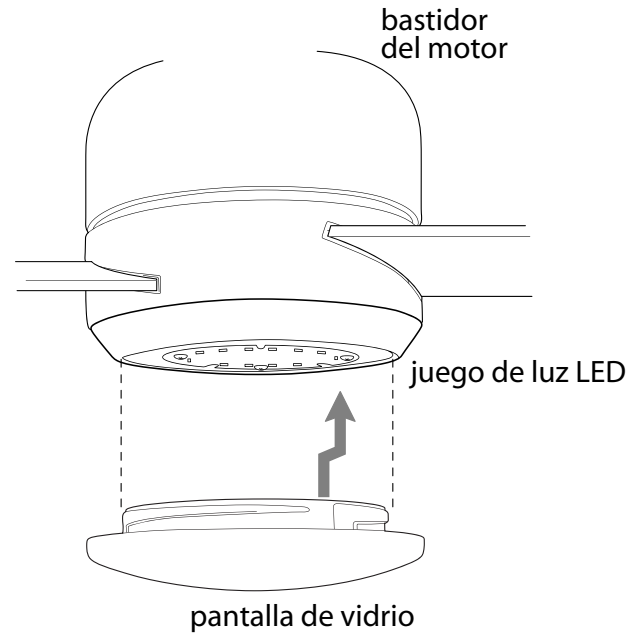


## 10. Instalación del juego de luz LED.



Volver a fijar los enchufes tipo "molex", conectar el cable **NEGRO** del bastidor del motor al cable **NEGRO** del juego de luz LED y el cable **BLANCO** del bastidor del motor al cable **BLANCO** del juego de luz LED. Asegurarse que las conexiones tipo "molex" cierren bien con un clic.

Arreglar cuidadosamente el cableado dentro de la placa del motor. Alinear los agujeros con ranura en el juego de luz LED con los tornillos aflojados en la placa del motor--*cuidando no apretar los cables ni los "molex" entre el juego de luz LED y la placa del motor.* Girar el juego de luz LED para cerrarlo. Volver a introducir el tornillo que se quitó anteriormente (Ver Sección 9). Apretar los 3 tornillos.

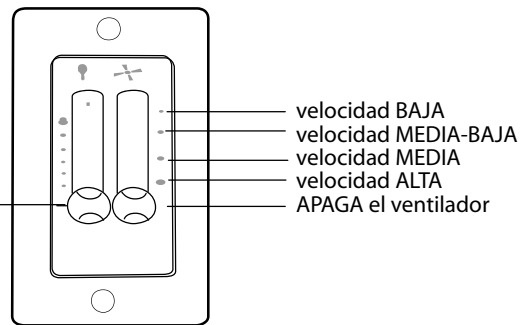
Localizar las ranuras en la pantalla de vidrio y alinearlas con los nódulos dentro del juego de luz LED. Empujar cuidadosamente la pantalla de vidrio hacia arriba. Girar la pantalla de vidrio en el sentido de las *manecillas del reloj* hasta que quede encajada.



## 11. Funcionamiento del control de pared.

El control de pared funciona para el ventilador  y la luz  (regulador de intensidad).

Mover el botón hacia arriba o hacia abajo para controlar la intensidad de la luz.



## 12. Verificación del funcionamiento del ventilador.

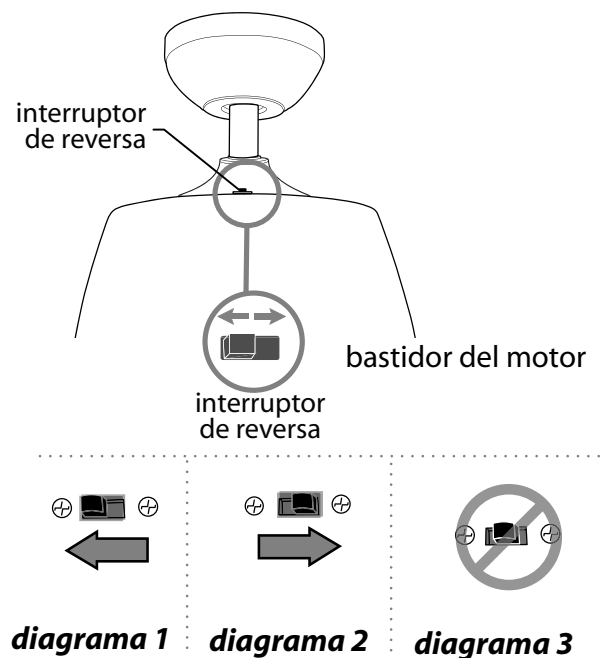
Se le recomienda poner el ventilador a prueba antes de terminar la instalación. Deslice los botones a la posición APAGADO en el control de pared. Regresar la corriente de electricidad en el cortacircuitos. Poner a prueba la luz y la función del regulador de intensidad de luz y luego las velocidades del ventilador. Si el ventilador y/o la luz no funciona(n), favor de referirse a la sección "Localización de fallas" para resolver cualquier asunto antes de comunicarse con el servicio al cliente.

Apagar el ventilador completamente *antes* de mover el interruptor de reversa. Regularlo para que se circule bien el aire dependiendo de las estaciones del año:

- posición IZQUIERDA en verano (**diagrama 1**)
- posición DERECHA en invierno (**diagrama 2**)

Un ventilador de techo le permitirá subir el termostato en verano y bajarlo en invierno sin notar una diferencia en su comodidad.

**Importante:** Hay que mover el interruptor de reversa o completamente hacia la IZQUIERDA o completamente hacia la DERECHA para que funcione el ventilador. Si el interruptor de reversa está puesto en la posición de *medio* (**diagrama 3**), no funcionará el ventilador.



## Localización de fallas.

**ADVERTENCIA:** *El no desconectar el suministro de fuerza eléctrica antes de hacer localización de fallas para cualquier problema de instalación eléctrica puede causar lesiones graves.*

**Problema:** El ventilador no funciona.

**Soluciones:**

1. Comprobar la corriente de electricidad al ventilador.
2. Verificar que se hizo correctamente la instalación eléctrica del ventilador.
3. Verificar que se hizo correctamente la conexión de cables en el control de pared.
4. Verificar que el interruptor de reversa del ventilador está en una sola posición, no en medio de las dos.

**Problema:** El ventilador funciona pero la luz no.

**Soluciones:**

1. Verificar que se hizo correctamente la conexión de cables en la cubierta decorativa.
2. Verificar que se hizo correctamente la conexión de cables en el control de pared.
3. Asegurarse que las conexiones molex en el juego de luz LED se hicieron apropiadamente.

**Problema:** El ventilador se tambalea.

**Soluciones:**

1. Usar el juego para balancear las aspas incluido en uno de los paquetes de artículos de ferretería. *Si no se incluye un juego para balancear las aspas, llamar al Servicio al cliente, 1-800-486-4892, para pedir uno.*
2. Averiguar que se apretó (apretaron) bien el (los) tornillo(s) de fijación en el cuello del bastidor del motor.
3. Averiguar que se apretó bien el tornillo de fijación en la bola que sirve para colgar.

## Piezas de repuesto.

Para piezas o información, referirse al "Inventario de piezas" en la página 2.  
Servicio al cliente de Craftmade:  
**1-800-486-4892**  
[www.craftmade.com](http://www.craftmade.com)

## Garantía.

**GARANTÍA LIMITADA DE POR VIDA DE CRAFTMADE™:**  
CRAFTMADE garantiza este ventilador al comprador original de grupo familiar para uso interior con las siguientes condiciones:

**GARANTÍA DE 1 AÑO:** CRAFTMADE reemplazará o reparará cualquier ventilador que tenga funcionamiento deficiente debido a defectos en los materiales o trabajo manual. Comunicarse con el Servicio al cliente de CRAFTMADE al **1-800-486-4892** para acordar el reenvío del ventilador. Devolver el ventilador, con los gastos de envío prepagados, a Craftmade. Nosotros repararemos o reemplazaremos el ventilador y pagaremos los gastos de envío de regreso.

**GARANTÍA DE 5 AÑOS:** CRAFTMADE reemplazará o reparará sin costo al comprador original, cualquier motor de ventilador que no funcione de manera satisfactoria a causa de uso normal.

**DEVOLVER EL MOTOR SOLAMENTE,** los gastos de envío prepagados, a Craftmade. Nosotros repararemos el motor al comprador o le enviaremos uno de reemplazo y Craftmade pagará los gastos de envío de regreso.

**GARANTÍA LIMITADA DE 6 AÑOS hasta DE POR VIDA:**  
CRAFTMADE reparará el ventilador, sin costo al comprador original por el coste laboral, si el motor del ventilador no funciona satisfactoriamente a causa del uso normal. Las piezas que se utilizan en hacer la reparación serán facturadas al comprador a los precios prevalecientes en el momento de la reparación.

El comprador original será responsable de todos los gastos incurridos en sacar, reinstalar y enviar el producto para reparación.

Esta garantía no se aplica cuando el ventilador tenga daños por abuso mecánico, físico, eléctrico o por agua resultando en su mal funcionamiento. Se exenta específicamente el deterioro en el acabado u otras partes debido al tiempo o exposición al aire marino bajo esta garantía.

Ni Craftmade ni el fabricante se harán responsables por lo que pasa por una instalación inadecuada o el uso impropio de este producto. La compañía no se hará responsable en ningún caso de ningún daño emergente por incumplimiento de esta o cualquier otra garantía expresada o implicada en absoluto. Esta limitación de daños emergentes no se aplicará en estados donde es prohibido.

# CRAFTMADE™