



Assembly & Installation Instructions

CAUTION: Read instructions carefully and turn electricity off at main circuit breaker panel before beginning installation.

8742

WARNING - If any Special Control Devices are used with this Fixture, Follow the Instructions Carefully to assure full compliance with N.E.C. requirements. If there are any questions, contact a Qualified Electrical Contractor.

WARNING - This product contains chemicals known to the State of California to cause cancer, birth defects and /or other reproductive harm. Thoroughly wash hands after installing, handling, cleaning, or otherwise touching this product.

IMPORTANT SAFETY INSTRUCTIONS SAVE THESE INSTRUCTIONS

REFER TO THEM WHEN ADDITIONS TO OR CHANGES IN THE TRACK CONFIGURATION ARE MADE.

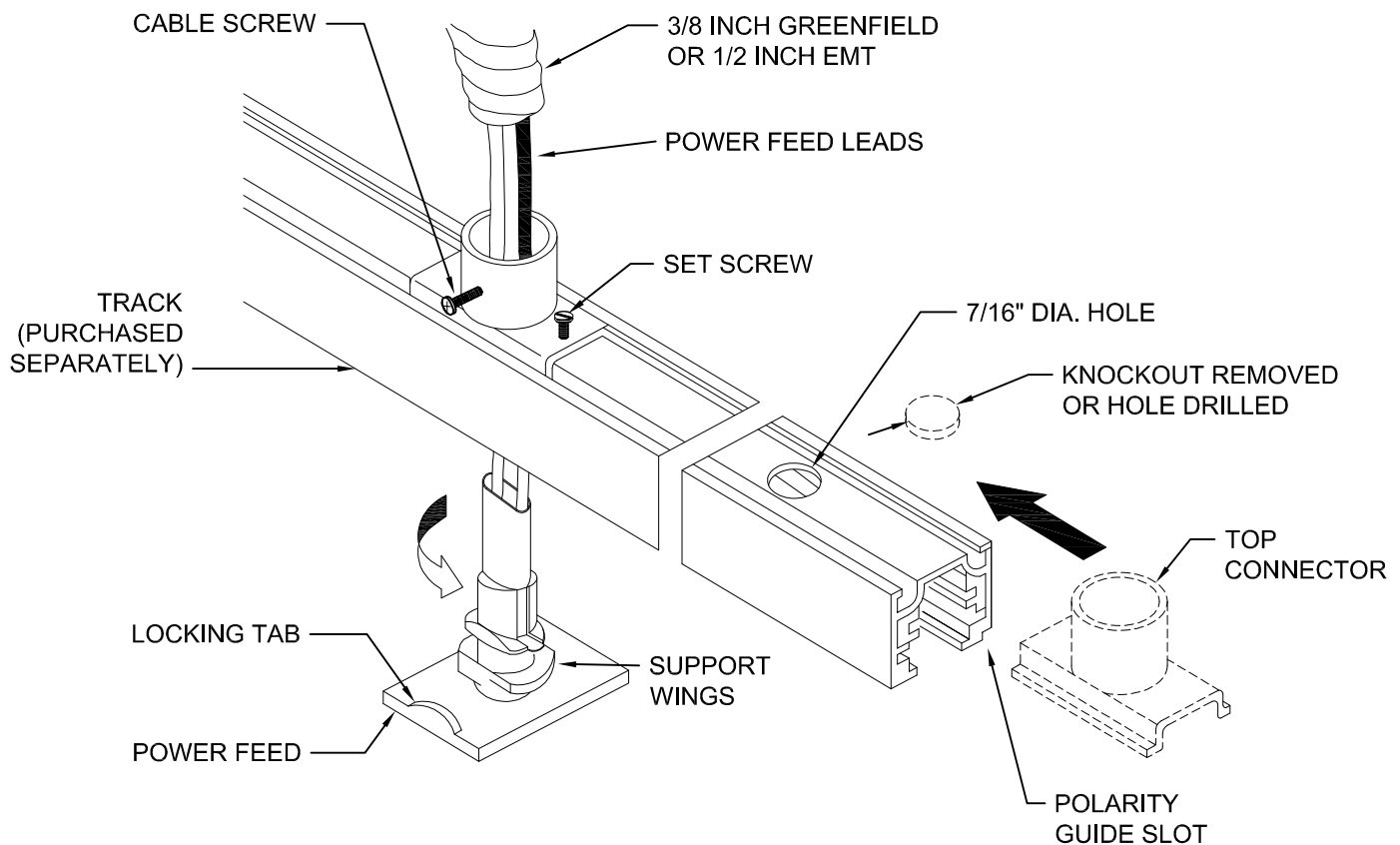
- 1 - This TRACK ACCESSORY is to be used with PROGRESS TRAK 1 TRACK only.
- 2 - DO NOT attempt to power this TRACK ACCESSORY with any form of power supply cord from a wall receptacle, or to attach any form of convenience receptacle to this TRACK.
- 3 - This TRACK ACCESSORY is to be supplied by a single branch circuit such as a 120 volt circuit with a grounded neutral.
- 4 - Use of this TRACK SYSTEM with dimmers, timing controls, energy saving devices, special security switching, or other devices could create a safety hazard. Obtain professional advice before using this TRACK SYSTEM with other devices.

IMPORTANT SAFETY INSTRUCTIONS

WHEN INSTALLING OR USING THIS TRACK SYSTEM, BASIC SAFETY PRECAUTIONS SHOULD ALWAYS BE FOLLOWED INCLUDING:

- 1 - Read all instructions and TURN OFF ELECTRICITY at MAIN FUSE BOX, before installing adding to, or changing the configuration of the TRACK. Also disconnect electrical power at the fuse or circuit breaker, before servicing or relamping.
- 2 - DO NOT install this TRACK ACCESSORY in a damp or wet location, or less than five (5) feet above the floor. TRACK MUST be installed in a location and a manner consistent with its intended use and in compliance with the NATIONAL ELECTRICAL CODE and with other, local ELECTRICAL CODES. TRACK must be GROUNDED to avoid potential electrical shock or other potential hazards. Polarity must be maintained throughout the installation.
- 3 - DO NOT use this TRACK ACCESSORY for other than its intended use. DO NOT attempt to energize anything other than PROGRESS TRAK 1 TRACK from this TRACK ACCESSORY. To reduce the risk of fire and electric shock, DO NOT attempt to connect power tools, extension cords, appliances, and the like to this TRACK ACCESSORY.
- 4 - DO NOT install any TRACK LIGHTING FIXTURE ASSEMBLY or ACCESSORY closer than six (6) inches from any curtain or similar combustible material.
- 5 - All servicing, MUST be performed by qualified service personnel.

SAVE THESE INSTRUCTIONS



- 1 - After determining desired location on TRACK for POWER FEED entry, remove one large KNOCKOUT from top of TRACK or drill one 7/16 inch diameter hole in center of TRACK.
- 2 - Slip TOP CONNECTOR into end of TRACK and slide over hole in TRACK. Secure in place with SET SCREW.
- 3 - Slip POWER FEED LEADS up through hole in TRACK and through TOP CONNECTOR.
- 4 - Hold POWER FEED so that SUPPORT WINGS are parallel to TRACK and LOCKING TAB is opposite POLARITY GUIDE SLOT in side of TRACK.
- 5 - Push POWER FEED up into TRACK and rotate 90 clockwise until LOCKING TAB snaps into TRACK.
- 6 - Slip 3/8 inch GREENFIELD or 1/2 inch EMT (not furnished) over LEADS and secure into TOP CONNECTOR with CABLE SCREW.
- 7 - Attach free end of GREENFIELD or EMT to a properly grounded, U. L. listed OUTLET BOX with an appropriate U. L. listed CONNECTOR (not furnished).
- 8 - Connect WHITE LEAD to WHITE SUPPLY WIRE in OUTLET BOX. Connect BLACK LEAD to BLACK SUPPLY WIRE. Use U. L. listed WIRENUTS (not furnished) to make connections. Close OUTLET BOX.

Instrucciones de ensamblaje e instalación

Precaución: Lea cuidadosamente las instrucciones y desconecte la electricidad del cortacircuitos principal antes de iniciar la instalación.

ADVERTENCIA - SI CON ESTE APLIQUE SE USAN DISPOSITIVOS DE CONTROL ESPECIALES, DEBE SEGUIR LAS INSTRUCCIONES DETALLADAMENTE PARA GARANTIZAR EL CUMPLIMIENTO ESTRICTO CON EL CODIGO NACIONAL DE ELECTRICIDAD (N.E.C.) SI TIEN PREGUNTAS, COMUNIQUESE CON UN ELECTRICISTA CALIFICADO.

ADVERTENCIA - Este producto contiene sustancias químicas que según el Estado de California causa cáncer, defectos de nacimiento y (o) daño al sistema reproductor. Lavarse bien las manos después de instalar, manipular, limpiar o tocar de manera alguna este producto.

Instructions d'Assemblage et Installation

Mise en garde: Lire les instructions avec soin et couper le courant au disjoncteur central avant de commencer l'installation.

AVERTISSEMENT - S'ILS Y A DES DISPOSITIFS DE CONTROLE SPECIAUX SONT UTILISES EN CONJONCTION AVEC CE LUMINAIRE, SUIVRE SCRUPULEUSEMENT CES INSTRUCTIONS POUR ASSURER LA CONFORMITE N.E.C. POUR TOUTE ASSISTANCE SUPPLEMENTAIRE, DEMANDER CONSEIL AUPRES D'UN ELECTRICIEN QUALIFIE.

AVERTISSEMENT - Ce produit contient des composants chimiques qui selon L'état de Californie provoquent un cancer, des infirmités de naissance et (ou) du mal au système reproductif. Il faut laver les mains soigneusement après avoir installé, manipulé, nettoyé, ou autrement touché ce produit.
